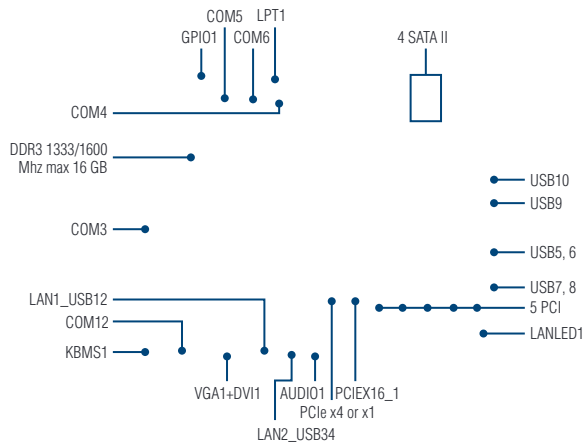


AIMB-701

LGA1155 3rd Intel® Core™ i7/i5/i3/
Pentium® ATX with DVI/VGA, Dual GbE LAN



Features

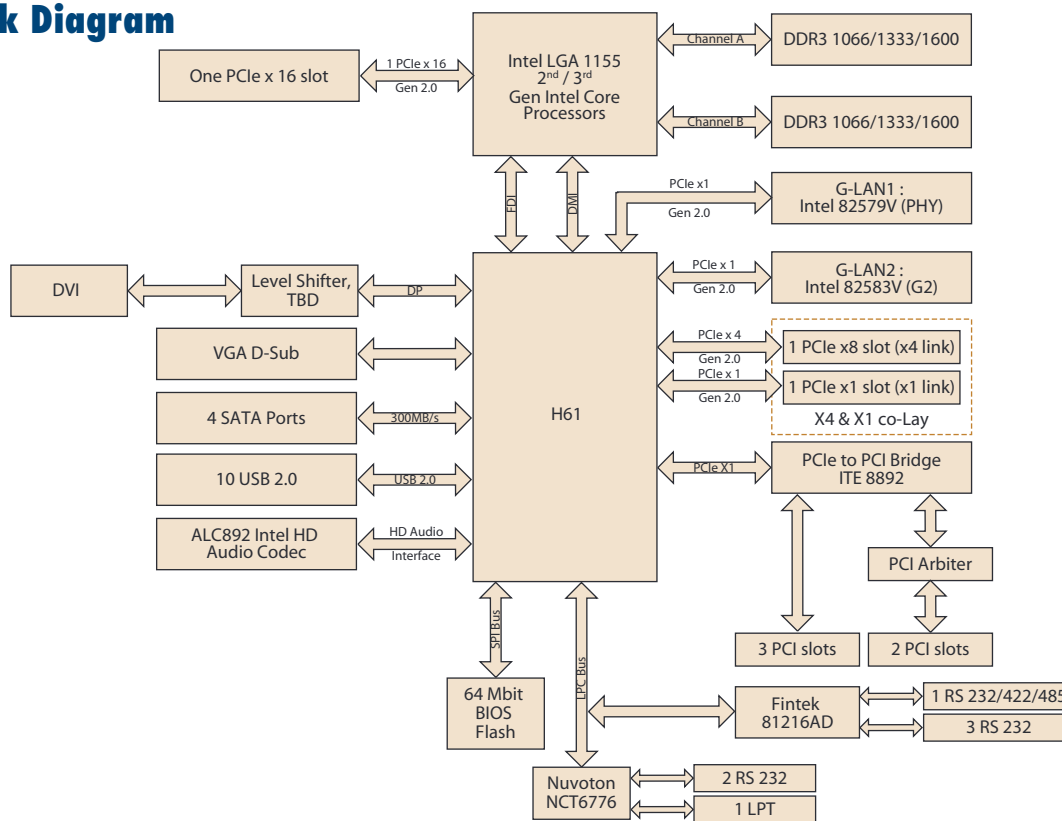
- Supports Intel® Core™ i7/i5/i3/Pentium® processor with H61 chipset
- Two DIMM sockets support up to 16 GB DDR3 1066/1333/1600
- Supports dual display VGA/DVI-D and dual GbE LAN
- Supports RS-232/422/485 with auto flow control
- Supports one PCIe x16 and 5 PCI expansion slots

Quiet Specifications



Processor System	CPU	Core i7 3xxx	Core i5 3xxx	Core i3 3xxx	Pentium G8xx
	Speed	3.4 GHz	3.4/3.3 GHz	3.4 GHz	2.9 GHz
	L3 Cache	8 MB	6 MB	3 MB	3 MB
	Socket	LGA1155			
	Chipset	H61			
	BIOS	AMI 64 Mbit SPI			
Expansion Slot	PCI	32-bit/33 MHz, 5 slots			
	PCIe x 1 (Gen2)	500 MB/s, 1 slot for G2 SKU			
	PCIe x 4 (Gen2)	2.0 GB/s, 1 slot for VG SKU			
	PCIe x16 (Gen2)	8 GB/s, 1 slot			
Memory	Technology	Dual Channel DDR3 1066/1333/1600 (1600 is only supported by Core i7/i5/i3 3xxx series processors)			
	Max. Capacity	16 GB			
	Socket	2 x 240-pin DIMM			
Graphics	Controller	Intel HD Graphics			
	VRAM	1 GB maximum shared memory with 2 GB and above system memory installed			
Ethernet	Interface	10/100/1000 Mbps			
	Controller	GbE LAN1: Intel 82579V, GbE LAN2: Intel 82583V			
	Connector	RJ-45 x 2			
SATA	Max Data Transfer Rate	300 MB/s			
	Channel	4			
Rear I/O	VGA	1			
	DVI	1 for G2 version			
	Ethernet	2 for G2 version; 1 for VG version			
	USB	4			
	Audio	2 (Mic-in, Line-out)			
	Serial	2 (RS-232)			
	PS/2	2 (1 x keyboard and 1 x mouse)			
Internal Connectors	USB	6			
	Serial	4 for G2 version (3 x RS-232, 1 x RS-232/422/485 with auto-flow control)			
	IDE	-			
	SATA	4			
	Parallel	1			
	IrDA	1			
Watchdog Timer	GPIO	8-bit			
	Output	System reset			
Power Requirement	Interval	Programmable 1 ~ 255 sec			
	Power On	Intel i7 2600 3.4 GHz processor, DDR3 4 GB x 2			
		3.3 V	5 V	12 V	5 Vsb
Environment		1.01 A	1.08 A	5.48 A	1.76 A
	Operating	Operating			Non-Operating
	Temperature	0 ~ 60° C (32 ~ 140° F) (Depends on CPU speed and cooler solution)			-40 ~ 85° C (-40 ~ 185° F)
Physical Characteristics	Dimensions	304.8 x 244 mm (12" x 9.6")			

Block Diagram



Ordering Information

Part Number	Chipset	Memory	Display	USB 2.0	COM	GbE LAN	PCIe x1	PCIe x4	SW RAID
AIMB-701G2-00A1E	H61	Non-ECC	VGA + DVI	10	6	2	Yes	NA	NA
AIMB-701VG-00A1E	H61	Non-ECC	VGA	10	2	1	NA	Yes	NA

Packing List

Description	Quantity
SATA HDD cable	x 2
SATA power cable	x 1
I/O port bracket	x 1
Startup manual	x 1
Driver CD	x 1

I/O View

AIMB-701G2-00A1E

AIMB-701VG-00A1E

Optional Accessories

Part Number	Description
1700002204	Dual port USB 2.0 cable (27 cm) with bracket
1960047669N001	LGA1155/1156 CPU cooler for 4U and wallmount chassis
1960047831N001	LGA1155/1156 CPU cooler for 2U and wallmount chassis
1960049408N001	LGA1155/1156 CPU cooler for 1U and wallmount chassis
1700020294-01	Printer port cable kit (42 cm)
1701092300	COM port cable kit (28.5 cm)
1700018633-05A4	COM port cable kit (60 cm)
1960055954T000	I/O port bracket for 1U chassis

Note 1: Purchasing AIMB-701's proprietary CPU cooler from Advantech is a must. Other brands' CPU coolers are NOT compatible with AIMB-701.

Note 2: 1960049408N001 is design to be used with Advantech 1U chassis and supports up to 73W processor, user needs to conduct thermal test before using this cooler with other brand chassis.

Riser Card

Part Number	Description
AIMB-R4104-01A1E	1U riser card with 1 PCIe x4 expansion
AIMB-R430P-03A2E	2U riser card with 3 PCI expansion